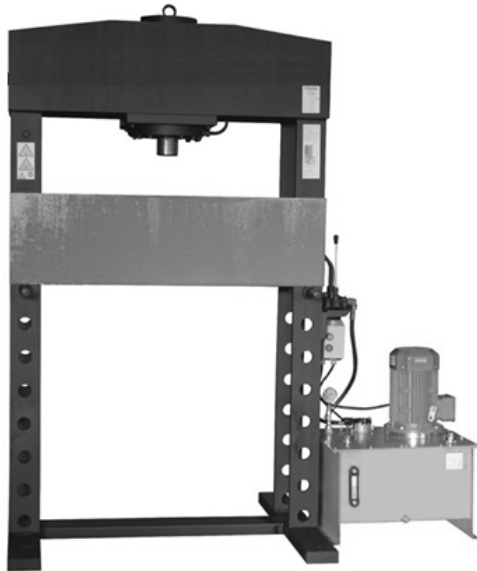


TRND



HYDRAULIC PRESSES



SYNTHESIS

Hydraulic Presses

Hydraulic Presses With Movable hydraulic

Electro-hydraulic presses

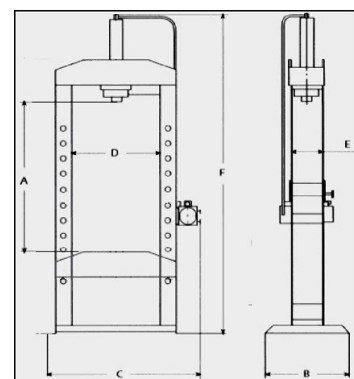
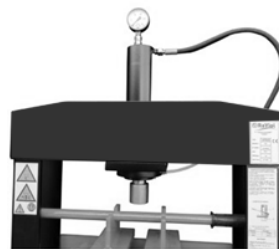
Hydropneumatic Press

Hydraulic Presses (Single Speed)

Going out of our traditional range of presses, we have our most basic model capable of handling any workload, to match and even exceed any expectation of those looking for quality of construction, reliability and safety for their daily work. Among its technical details stand out the following:



- Equipped with single speed piston descent and automatic return pump.
- They have a piston constructed of special nickel treated chrome steel and prisms.
- Equipped with piston shaft travel limiting valve and a safety valve so that the pump does not exceed the recommended maximum pressure limit.



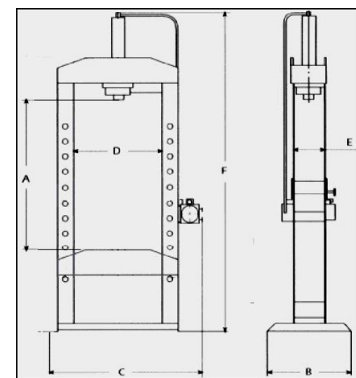
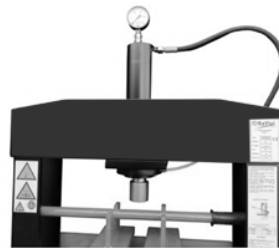
Modelo	Capacidade	A	B	C	D	E	F
	T	mm	mm	mm	mm	mm	mm
T25PB	25	500	500	900	540	120	1240
T25P	25	1090	500	900	540	120	1890
T35P	35	1040	600	920	550	120	1930

Movable Hydraulic Presses (Single Speed)

Introducing our innovative movable hydraulic press. Available in various powers fits perfectly to any workload. It also has several superior features that include it on the market, such as:



- Equipped with single speed piston descent and automatic return pump.
- Equipped with piston in special steel of nickel treated chrome and prisms
- It has piston shaft travel limiting valve and safety valve so that the pump does not exceed the recommended maximum pressure limit.



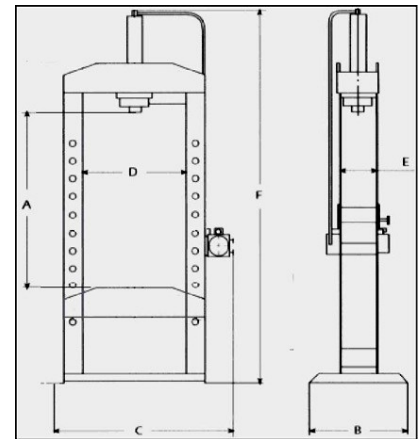
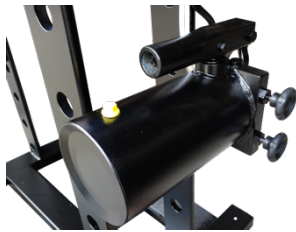
Modelo	Capacidade	A	B	C	D	E	F
	T	mm	mm	mm	mm	mm	mm
T25PBM	25	500	500	900	540	120	1240
T25PM	25	1090	500	900	540	120	1890
T35PM	35	1040	600	920	550	120	1930

Hydraulic Presses (Two Speeds)

Going out of our traditional range of presses, we have our advanced model, designed to handle intermediate workloads seeks to meet the most demanding workshops and with more powerful and robust equipment needs. Among its technical details stand out the following:



- Equipped with two speed descent pump, automatic piston return and table lift reducer.
- It has fast forward closing the 2 wheels and high pressure opening the lower.
- It has piston shaft travel limiting valve and safety valve so that the pump does not exceed the recommended maximum limit.



Note: In the T35PD model, the Foot and table differ from the image.

Please refer to the 1-speed model data sheet to check their **Foot** and **Table**

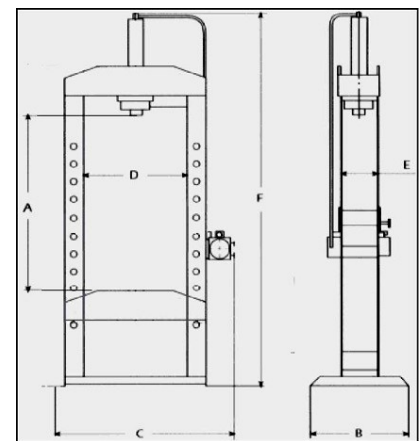
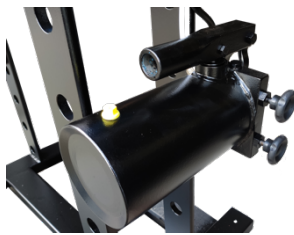
Modelo	Capacidade	A	B	C	D	E	F
	T	mm	mm	mm	mm	mm	mm
T35PD	35	1040	600	920	550	140	1870
T50PD	50	1100	650	1180	800	200	2170
T70PD	70	1100	900	1320	900	200	2170
T100PD	100	1100	1000	1480	1000	200	2220
T125PD	125	1100	1000	1530	1000	250	2270

Movable Hydraulic Presses (Two Speeds)

Introducing our innovative movable hydraulic press. Available in various powers fits perfectly to any workload. It also has several superior features that include it on the market, such as:



- Equipped with tow speed descent pump, automatic piston return and table lift reducer
- It has fast forward closing the 2 wheels and high pressure opening the lower
- Equipped with piston in special steel of nickel treated chrome and prisms
- It has piston shaft travel limiting valve and safety valve so that the pump does not exceed the recommended maximum limit



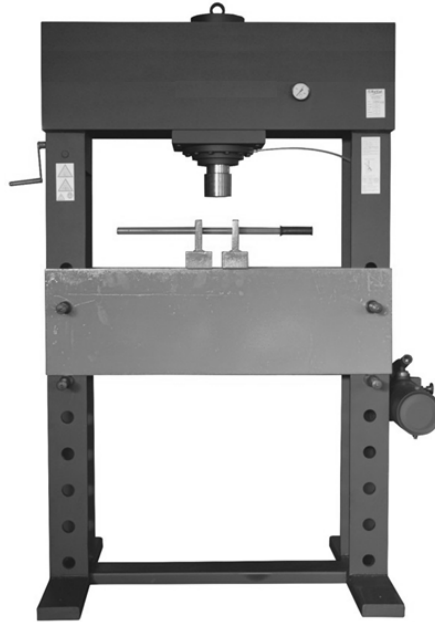
Note: In the PD35M model, the Foot and table differ from the image.

Please refer to the 1-speed model data sheet to check their Foot And Table.

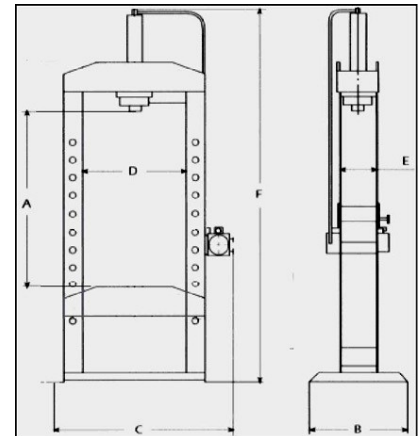
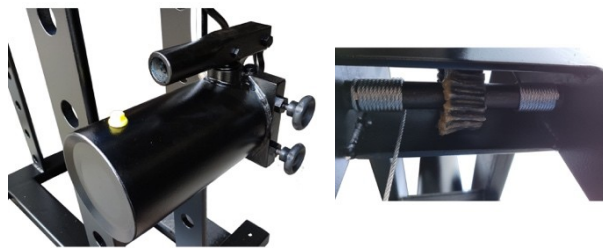
Modelo	Capacidade	A	B	C	D	E	F
	T	mm	mm	mm	mm	mm	mm
T35PDM	35	1040	600	920	550	140	1870
T50PDM	50	1100	650	1180	800	200	2170
T70PDM	70	1100	900	1320	900	200	2170
T100PDM	100	1100	1000	1480	1000	200	2220
T125PDM	125	1100	1000	1530	1000	250	2270

Hydraulic Presses (Two Speeds)

Going out of our traditional range of presses, we have our advanced model, designed to handle high workloads seeks to meet the most demanding workshops and with more powerful and robust equipment needs. Among its technical details stand out the following



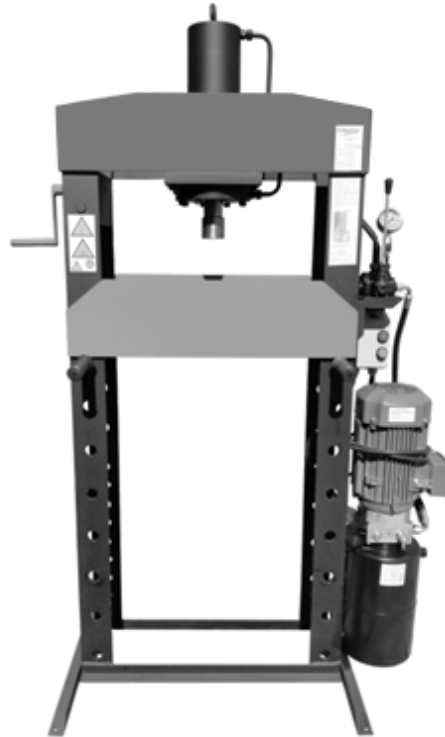
- Equipped with Two speed descent pump, automatic piston return and table lift reducer.
- It has fast forward closing the 2 wheels and high pressure opening the lower.
- It has table and holes symmetrically ground for fixation with 4 Dowels.



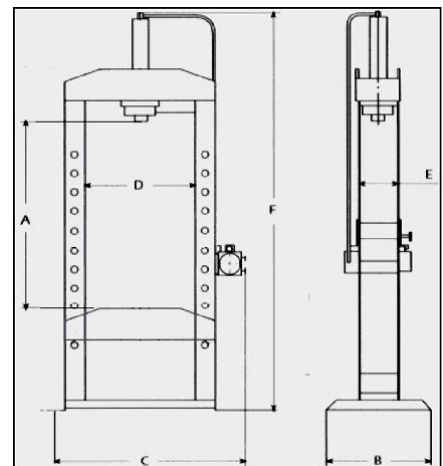
Modelo	Capacidade	A	B	C	D	E	F
	T	mm	mm	mm	mm	mm	mm
T150PD	150	1100	1000	1530	1000	250	2270
T200PD	200	1100	1000	1530	1000	250	2320

Electro - Hydraulic Presses

Within the most advanced range of presses, this base model appears for various types of work for intermediate loads. Given its technical specificity, it manages to achieve incredible results in the work to which it is proposed



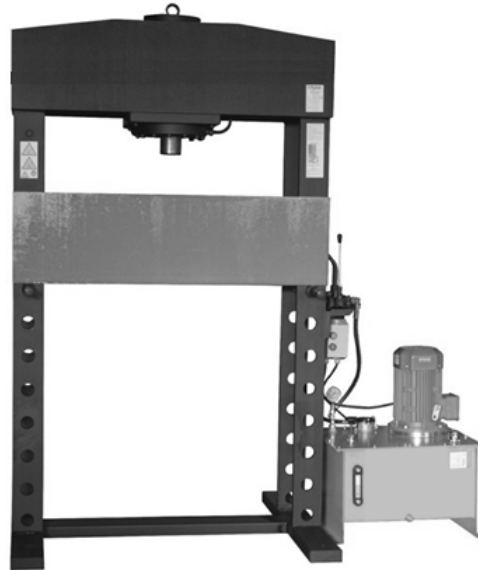
- It has a 3-position manual dispenser for hydraulic piston drive.
- Through a pressure regulating valve and a pressure-limiting safety valve, it adjusts to any work to be performed
- Equipped with an electro-hydraulic power plant.



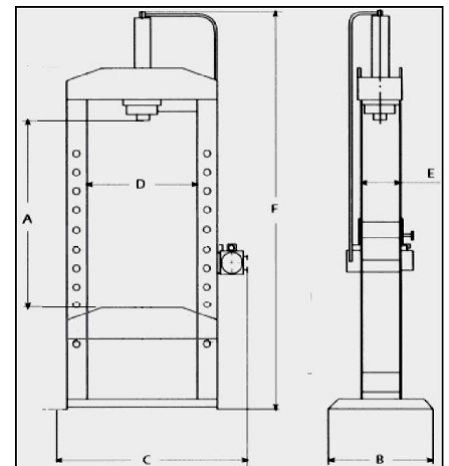
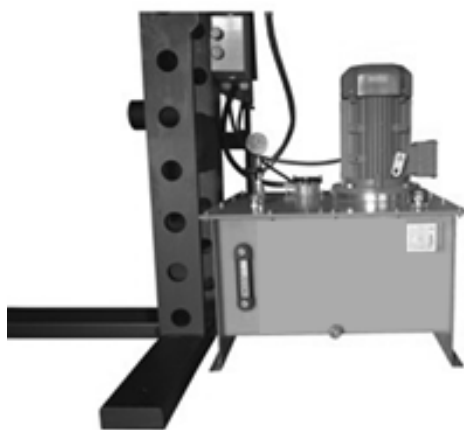
Modelo	Capacidade	A	B	C	D	E	F	Weight	Speed	Piston Course
	T	mm	mm	mm	mm	mm	mm	(Kgs)	Mm/min	mm
T151VPE	15	990	500	1000	540	140	1870	160	750	250
T301VPE	30	990	600	1000	550	200	1870	220	600	250

Electro - Hydraulic Presses (Single Speed)

Within the most advanced range of press, this base model arises for various types of work intended for high loads. Given its technical specificity, it can achieve incredible results in the work to which it proposes.



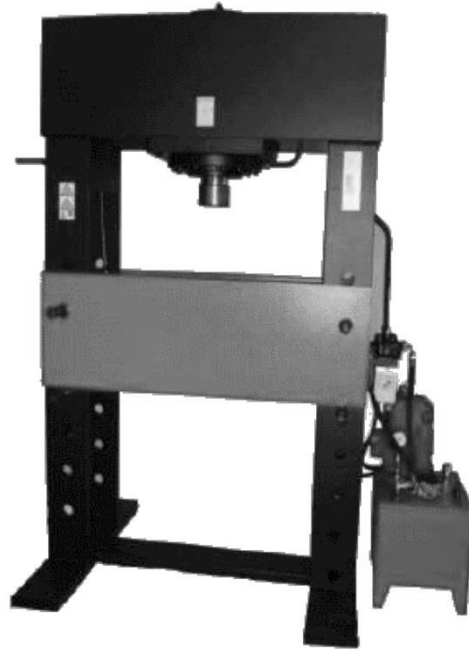
- It has a 3-position manual dispenser for hydraulic piston drive.
- Through a pressure regulating valve and a pressure-limiting safety valve, it adjusts to any work to be performed
- Equipped with an electro-hydraulic plant,



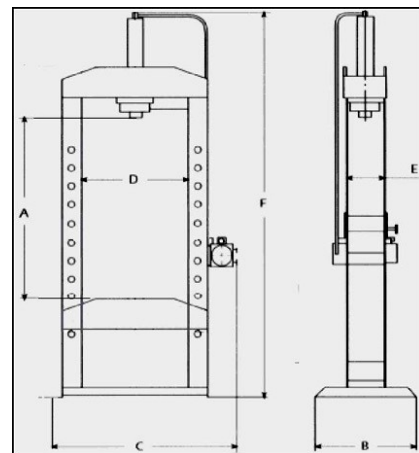
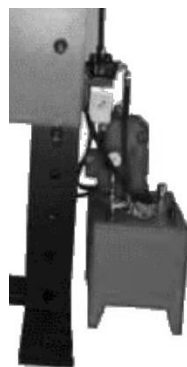
Modelo	Capacidade	A	B	C	D	E	F	Weight (Kgs)	Speed mm/min	Piston Course mm
	T	mm	mm	mm	mm	mm	mm			
T501VPE	50	1100	800	1450	800	200	2100	410	1500	250
T701VPE	70	1000	950	1690	950	250	2200	600	1200	250
T1001VPE	100	1100	1000	1800	1000	280	2200	890	800	250

Electro - Hydraulic Presses (Two Speeds)

Within the most advanced range of presses, this advanced model for various types of work for high loads is available. Given its technical specificity, it can achieve incredible results in the work to which it proposes.



- It has a 3-position manual dispenser for hydraulic piston drive.
- Through a pressure reducing valve and a manual table lift reducer, the equipment adjusts to the work to be performed.
- Equipped with a two speed electro-hydraulic, it takes quality to a new level.



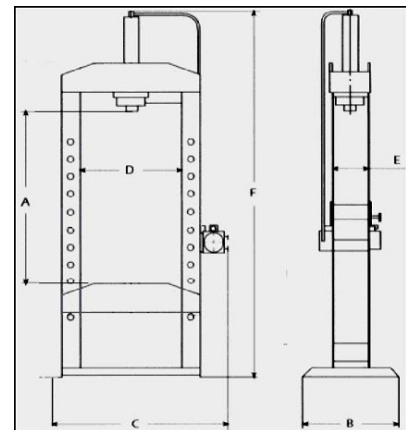
Modelo	Capacidad e	A	B	C	D	E	F	Weight	Speed	Aprox. speed	Piston Course
	T	mm	mm	mm	mm	mm	mm	(Kgs)	mm/min	mm/min	mm
T1502VPE	150	1100	1000	1800	1000	350	2270	1125	800	125	300

Hydro-pneumatic Press

The innovative range of hydro-pneumatic presses designed to fill all areas and different types of mechanization in this vast field. Given its technical specificity, it can achieve incredible results in the work to which it proposes.



- It is equipped with hydro-pneumatic piston descent and return pump.
- The piston is reinforced with a nickel treated chrome construction
- The equipment has prisms and base.



Modelo	Capacidad e	A	B	C	D	E	F	Weight	Piston Cou
	T	mm	mm	mm	mm	mm	mm	(Kgs)	mm
T15PHP	15	1090	500	850	520	120	1870	110	180
T25PHP	25	1090	500	900	540	120	1870	125	180
T35PHP	35	1040	600	920	550	140	1870	150	180



WASHING TANKS

SYNTHESIS

- Multipurpose tank
- Washing Tank Parts
- Washing Tank Parts with Electric Pump
- Pneumatic Washing Tank Parts
- Washing Tank Solvent Base Paint Guns
- Double Tank (2in1) Washing Paint Guns
- Automatic Wash Tank
- Cleaning Particle Filters
- Ultrasonic Cleaning Equipment

Multipurpose tank Carbon Steel

With our new tank, the cleaning of the parts becomes more profitable thanks to the use of two different systems. One for dirt removal (Liquid) and one for final quick drying (Air). Know it and realize the difference that this equipment can make in the work to be done.



- Inclusion of 2 separate systems, one liquid for removal of dirt and another in air for final quick drying.
- It has a waste recycling system that increases the durability and strength of equipment and solvent.
- It has a lamp so that it can be used in the darkest environments without vision problems.



Cube with 3 Deposits / Perforated Board / Levelers Hose with Brush and Lamp / Air Gun with Spiral Tube

Modelo	Work space	Weight	Capacity
	mm	Kg	L
T780TCG	720 x 550	40	25
T950TCG	900 x 550	50	50

Washing Tank Parts

With this new tank, the cleaning of the parts becomes more cost effective and effective since they can be bathed by the solvent and rubbed simultaneously. The equipment also has an advanced waste recycling system that aims to increase the durability of the solvent.



- It has a waste recycling system that increases the durability and strength of equipment and solvent
- It has several components such as bottom tray with perforated filter, levelers, brush wash and others that support all cleaning.
- It is built following advanced quality standards aimed at the useful life of the Equipment.



Cuba with 3 Deposits / Perforated Tray / 4 Hose Levelers w / Brush Among other

Modelo	Work space	Weight	Capacity
	mm	Kg	L
T780TBP	720 x 550	40	25
T950TBP	900 x 550	50	50

Pneumatic Washing Tank Parts

Within the pneumatic range for cleaning parts, stands out the Model TLP, which combines pneumatic brush cleaning with the air system and construction quality that always guarantees in the equipment it produces. Having several characteristics that distinguish it from its competitors, among the main ones are



1. **Innovative 2-position pneumatic cleaning system (dirty and clean).** Wash on the work area with the dirty liquid and finish with the liquid clean only by changing the position of the button.
2. Pneumatic system gives the operator an addition to the level of safety.
3. It has a lid that, when closed, prevents the accumulation of impurities



Perforated tray / Air gun with spiral tube / Hose w / Brush / 4 Levellers / Wash basin w / lid

Modelo	Work space	Weight	Capacity
	mm	Kg	L
T780TLP	720 x 550	40	25
T950TLP	900 x 550	50	50

Washing Tank Parts

With our new tank, the cleaning of the parts becomes more profitable thanks to the use of two different systems. One for dirt removal (Liquid) and one for final quick drying (Air). Know it and realize the difference that this equipment can make in the work to be done.



- Inclusion of 2 separate systems, one liquid for removal of dirt and another in air for final quick drying.
- It has a waste recycling system that increases the durability and strength of equipment and solvent.
- It has a lid so that, when closed, prevents the evaporation of the tank solution.



Cuba with 3 Deposits / Perforated Tray / 4 Levellers / Hose w / Brush / Bowl with Lid / Air Gun w / Spiral Tube

Modelo	Work space	Weight	Capacity
	mm	Kg	L
T780TFE	720 x 550	40	25
T950TFE	900 x 550	50	50

Washing tank with Electric Pump

Introducing our new tank washing parts. The same arises from a prolonged study on the needs of the market where we identify that environmental sustainability combined with operator comfort without compromising the quality of equipment should be the pillars of this new tank.



- It is intended for the use of aqueous base products with regulation of the flow of the solution.
- It has an intelligent thermostat that automatically regulates the temperature of the solution.
- Made of stainless steel superior quality that associated with the closed lid prevents evaporation.
- It has several accessories such as hose with washing brush, air gun with spiral tube, levelers on 4 legs



Modelo	Work space	Weight	Capacity
	mm	Kg	L
T780TLPIR	780 x 550	45	30

Pneumatic Washing Tank - Stainless Steel

Within the pneumatic range for cleaning parts, this model stands out for its functional capabilities combined with innovation and quality of construction that always seeks to ensure in the equipment it produces. Having several characteristics that distinguish it from its competitors, among the main ones are:



- Efficiency guaranteed thanks to the innovative system of 2 independent reservoirs (dirty and clean).
- It has a lid that, when closed, prevents the evaporation of the product and/or accumulation of impurities
- Simplicity of operation that makes it suitable at any level of experience.

Modelo	Work space	Weight	Capacity
	mm	Kg	L
T780TLPI	780 x 550	40	20

Washing Tank Solvent Base Paint Guns

To fill our range of equipment for cleaning solvent based paint guns, the TPP630, a zinc-plated carbon steel tank, with pneumatic spray pump and also equipped with a diving tank that allows the dirt to be decrustated with dirt more quickly and efficiently. Making further cleaning with the brush and spraying much easier and with more visible results.



- The Solvent Base cleaning system has 2 independent cans for dirty/clean liquid. Thus allowing a pre-wash and final wash.
- The spray system brings more economical consumptions and superior final results thanks to continuous spraying.
- It incorporates a system with air gun that allows the cleaning of the inside of the paint guns and the subsequent drying of the same
- It has a lid that, when closed, prevents evaporation and contamination of the solution with exter residues inthe.



Modelo

Work space

Weight

Capacity

mm

Kg

L

T630TPP

630 x 450

40

20

Tank Double system (2in1) for Washing Paint Guns

After a thorough market study comes the innovative **double tank** washing stainless steel paint guns the **TPPI780**. A tank with two independent tanks and circuits for each of the solvent base washes/aqueous base. Also equipped with a dive tank that allows the dirt to be decrusted from the accessories with greater speed and efficiency. Making further cleaning with the brush and spraying much easier and with more visible results.



- Cada um dos sistemas (Base Solvente/ Base Aquosa) Dispõe de 2 bilhas independentes para líquido sujo/limpo, permitindo deste modo uma pré-lavagem e lavagem final.
- O sistema de pulverização trás consumos mais económicos e resultados finais superiores graças á pulverização contínua.
- Incorpora um sistema com pistola de ar que permite a limpeza do interior das pistolas de pintura e a posterior secagem das mesmas.
- Dispõe de uma tampa que quando fechada impede a evaporação e contaminação da solução com resíduos externos



Airbrush and Airbrush / 2 Pneumatic Pumps.

Modelo	Work space	Weight	Capacity
	mm	Kg	L
T780TPPI	780 x 550	40	20

Automatic Wash Tank

In the most aggressive segment of development come equipment like this our tank. With superior robustness allows the use of large volumes of parts. Thanks to the use of a closed circuit and the automation of the process, this monetizes time, operating costs and without ever compromising the final result.



- It has 1 closed cleaning circuit where water and detergent are designed in 3 distinct positions.
- Sludge and impurities are separated by a filter making the equipment ecologically viable.
- It has a rotating jet basket that supports cleaning and safety stop mechanisms.



Modelo	Capacida de	Max Load	Height Wash	Mono frame	Resistanc e	Thermos tat	Timer	Weight	Dim
	L	Kg		V	W	°	'	KG	mm
T900 MLQM	90	90		240	3000	90	30	140	900x1200x1100

Automatic Wash Tank

In the most aggressive segment of development come equipment like this our tank. With superior robustness allows the use of large volumes of parts. Thanks to the use of a closed circuit and the automation of the process, this monetizes time, operating costs and without ever compromising the final result.



- It has 1 closed cleaning circuit where water and detergent are designed in 6 distinct positions.
- Sludge and impurities are separated by a filter making the equipment ecologically viable.
- It has a motorized rotating basket that supports cleaning and safety stop mechanisms.



Modelo	Capacidad e	Max Load	Basket Diameter	Mono frame	Resistance	Thermostat	Timer	Weight	Dimensions
	L	Kg	mm	V	W	°	'	KG	mm
T900 MLQM	120	440	1150	400	7500	90	30	390	1250x1500x1300



SYNTHESIS

Workbench to Dismantle
Engines
Workbench
Workshop trolley
Workshop display

WORKBENCHES

Workbench to Dismantle Engines

Our workbenches for dismantling engines are already well-known in the market for their quality as well as the presence of the essentials in a workshop. These can also be coupled with several extras in order to match any job and situation that may arise



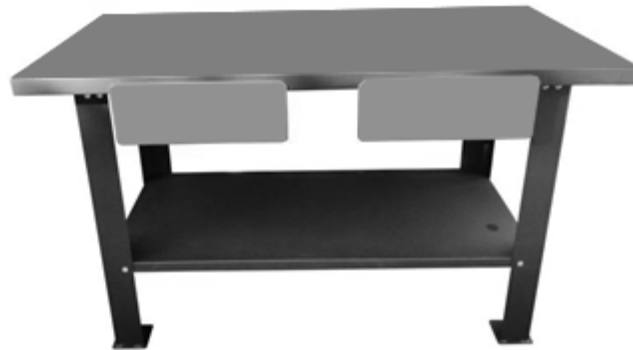
- Equipped with the top of 2 independent trays. Of which one is adjusted symmetrically for perfect settling.
- It has a fiber drawer for draining oils and a metallic drawer with a key
- Features 4 wheels for easy movement.



Modelo	Work space	Weight	Dimensions
	mm	Kg	L
T120DM	1200 x 700	75	1200 x 700 x 900

Workbench

Our range of work benches is already well referenced in the market for the quality presented, being an essential equipment in a workshop. These can also be coupled with several extras in order to adapt to any job or operator.



- It has 2 drawers in order to increase storage and organization, which consequently leads to better work.

Opcional:

- Wood top
- More drawers
- Different dimensions



Modelo	Work space	Weight	Dimensions
	mm	Kg	L
T140BT	1400 x 700	52	1400 x 700 x 840
T 175BT	1750 x 700	62	1750 x 700 x 840

Workbench

Our range of work benches is already well-known in the market for the quality presented as well as the presence of the essentials in a workshop. These can also be coupled with several extras in order to match any job and situation.



- It has 3 drawers and 3 doors in order to increase the storage and organization which consequently leads to better work
- Careful construction in sheet metal for greater robustness.

Modelo	Work space	Weight	Dimensions
	mm	Kg	L
T175BTGP	1750 x 700	100	1750 x 700 x 840

Workbench trolley

To reinforce the commitment to the organization of the workshops as well as proportionally to the best working conditions, this tool cart is ready and tested for the most complicated uses. Of its most relevant characteristics, we highlight:



- It has a drawer with key and 3 shelves.
- Treated sheet metal construction and wheel coupling for superior quality and mobility.
- Optional:
- More drawers
- Different dimensions

Modelo	Work space	Weight	Dimensions
	mm	Kg	L
TCF1	810x410	25	810x790x410

Workbench Display

With the organization of all workshops in mind, we launched its reinforced tool display board. With the aim of providing them always in sight, it is easy and quick to find the material you need, thus considerably increasing the performance of operators.



- Built on a solid base of 1.5 mm Zinc plated sheet, it is robust for any workshop.
- Given its perforated base, it allows a free disposal of the tools adapting to any workshop.
- It has a 15x15mm double bending side reinforcement to guarantee superior durability.

Modelo	Work space	Weight	Dimensions
	mm	Kg	L
T1350Q	1350x600	5	1350x600
T1750Q	1750x600	7	1750x600



SYNTHESIS

Retention oil Bases

Grinding wheels support

Motorcycle Lifts

Mobile Parts Washing Equipment

Pneumatic press for Mounting
Shock Absorbers

Pneumatic Brake Disc Washing Tank

Electro-hydraulic Press for Oil Filters

Retention oil Bases

We present our innovative retention bases for storing oil spills as well as other chemicals. With various configurations and dimensions, they will certainly be the ideal bet for your business.



- Rectangular or square format to fit and adapt to the standard formats of workshops and containers.
- Treated zinc sheet construction that aims to increase the strength and mechanical resistance to the spillage of the indicated products.
- It has a galvanized steel grid for direct contacts with possible wear.
- Possibility to include wheels for easy transport.

Modelo	Volume	length	width	height	capacity
	L	mm	mm	mm	UN
T60RES	60	1290	710	190	10
T220RES	220	1290	710	355	2
T250RES	250	1290	1290	270	4

Grinding wheels support

To complete the range of essential equipment, this highly sought-after novelty, an emery easel, appears. Built on a painted carbon steel base and with a reinforcement designed to accommodate industrial equipment, it is an excellent addition to your workshop



- Emery application base with extended dimensions that allow the accommodation of industrial equipment.
- Light and modern construction to allow a good movement without compromising the aesthetic need.
- Tested in the work environment in our workshops and in partner customers to ensure maximum equipment robustness.

Modelo	Weight	Dimensions
	Kg	L
T CAV.ESM	11	820x270x220

Motorcycle Lift

We present our renovated motorcycle lift, adjusted to current needs, but with the same commitment and quality as always. Built on a basis where quality is the key point, differentiating factors such as:



- Inclusion of removable articulated ramp so that the equipment can be adjusted to all work scenarios.
- Incorporation of a system for the extraction of the rear pit-type wheel, so that any intervention becomes easier and faster.
- It has a front lathe to lock the wheel in order to maintain high safety standards for equipment operators.



Modelo	Max. Load	Tare	Min. Height	Mac. Height	Width	lengths	Ramp
	Kg	Kg	mm	mm	mm	mm	Mm
TEP5	500	162	158	755	700	2200	350

Mobile Parts Washing Equipment.

This equipment was designed for cleaning heavy components or workshops where mobility is a daily necessity. It consists of 4 wheels for easy movement as well as a splash-proof grid, removable handle and other components specially designed for mobility.



- It has 1 brush and air gun for deep cleaning and quick drying.
- Press for its mobility that allows the placement under the parts for a perfect cleaning.
- Allows reuse of the liquid thanks to its advanced filtration system.

Modelo	Dimensions	Weight	Capacity	height
	mm	Kg	L	mm
TMLDTP	750 x 530	39	50	400

Pneumatic Press for Mounting and Dismounting Shock Absorbers

As the automotive range is a priority, this equipment appears as a bet in that same sector. This aims to simplify the assembly and disassembly of motors by coupling a simple-to-use pneumatic system. Of its most relevant characteristics, we highlight:



- Possibility to adjust the extractors to adapt to the different dampers.
- Works with compressed air (5 to 10 Bar)
- Built for simplicity of operation and at any level of training

Modelo	Dimensions	Weight	height
	mm	Kg	mm
TPA	1250 x 240 x 1050	30	1050

Pneumatic Brake Disc Washing Tank

Within the pneumatic range for cleaning parts, our Model stands out for its specific orientation for brake discs. It excels for its features and innovation. With several characteristics that distinguish it from its competitors, among the main ones are:



- Specifically built for brake discs, it is committed to achieving superior results in this specific type of work.
- Adjustable in each case thanks to its elevating tank and the inclusion of a compressed air gun.
- Superior cleaning thanks to the inclusion of 2 washing systems, Air and Liquid.

Modelo	Dimensions	Weight	Capacity	Work plan	Work heigh
	mm	Kg	L	Mm	Mm
TTLDTP	750 x 530x900	37	20	500x370	900-1300

Electro-hydraulic Press for Oil Filters

Within the most advanced range of presses from, comes this excellent equipment specifically designed for pressing oil filters. Given its technical specificity, it manages to achieve incredible results in the work to which it is proposed.



- Allows you to exponentially reduce the dimensions of the filters and thus increase the amount sent to recycle each time.
- Store the oil in a reservoir separately so that it can be quickly collected and sent to the right location.
- It allows to reduce the cost and time spent on the useless operations.

Modelo	Dimensions	Weight
	mm	Kg
TPFO	950 x 600 x 1900	130

